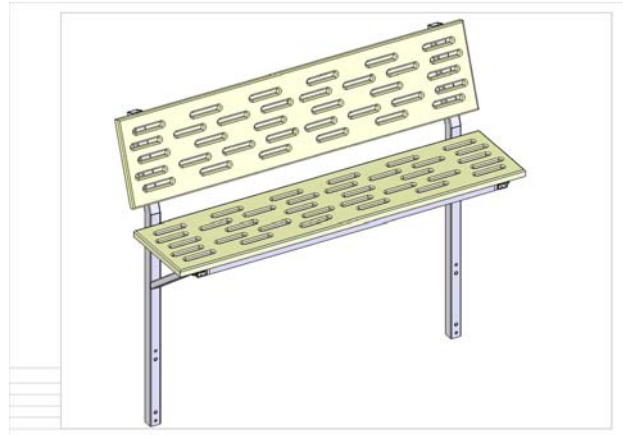


BENCH KIT INSTRUCTIONS (PN 10832-33)

Parts List:

- (2) aluminum frame uprights
- (2) steel H-supports
- (4) 5/16" X 2" H-support bolts
- (2) poly panels (or 4 wood panels)
- (4) 3/8" X 2.5" bolts w/nuts & washers
- (4) 1/2" X 2.5" bolts w/nuts & washers
- (8) wood panel screws (large head)
- (8) poly panel screws (small head)
- (2) black plastic plugs
- (2) vinyl caps



IMPORTANT NOTE: IT IS FAR EASIER TO ATTACH THE BENCH UPRIGHTS TO THE DOCK FRAME DURING DOCK FRAME ASSEMBLY

1. Mount the bench uprights to the dock frame at the vertical frame corners using the two 3/8" bolts per bench upright. Bolts will replace existing top and bottom 3/8" connecting bolts on Patriot dock frame. Tighten the bolts. For mounting to non-standard locations or other dock brands, use the two 1/2" bolts with nuts & washers.

2a. Poly Dock-Top™ Panels: Lay poly Dock-Top™ panel face down (ribs up) on flat surface. Place H-support centered on top of panel (note: H-support may extend about 1/4" beyond the long sides of the panel). Fasten the H-support to the panel using 5 poly panel screws, 1 at each corner and 1 in the center, in the pre-drilled holes. Do not over-tighten. Repeat for other panel.

2b. Cedar Panels: Lay two cedar panels along side each other about 1/2" apart on flat surface (best side down). Place H-support centered on top of panels (note: H-support may extend about 1/4" beyond the long sides of the panels). Fasten the H-support to the panels using 8 wood screws, 3 per one side and 1 towards center of other side of each board, in the pre-drilled holes. Do not over-tighten the screws. Repeat for other panel.

3. Fasten the H-Supports with mounted panels to the aluminum frame uprights using the 5/16" X 2" bolts installed on the H-supports. One H-support is for the bench seat and one is for the backrest. Tighten the bolts.

4. Install the vinyl plugs on the aluminum frame upright at the front of the seat by tapping in with a hammer. Install the square vinyl caps at the top of each aluminum frame upright. Some trimming may be required.

CAUTION: Dock frame must be adequately supported near both bench frame uprights to provide safe support and to avoid damage to the dock frame or bench.

US Dock and Hardware LLC
Harris, MN

www.usdockandhardware.com www.patriotdocks.com
(651)674-2450

